

# Driving Mobile Media Solutions™



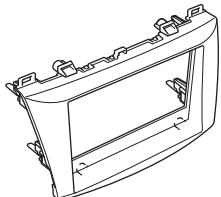
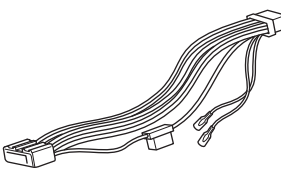

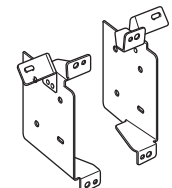
## KTX-WXE-M38

### INSTALLATION KIT Owner's Manual

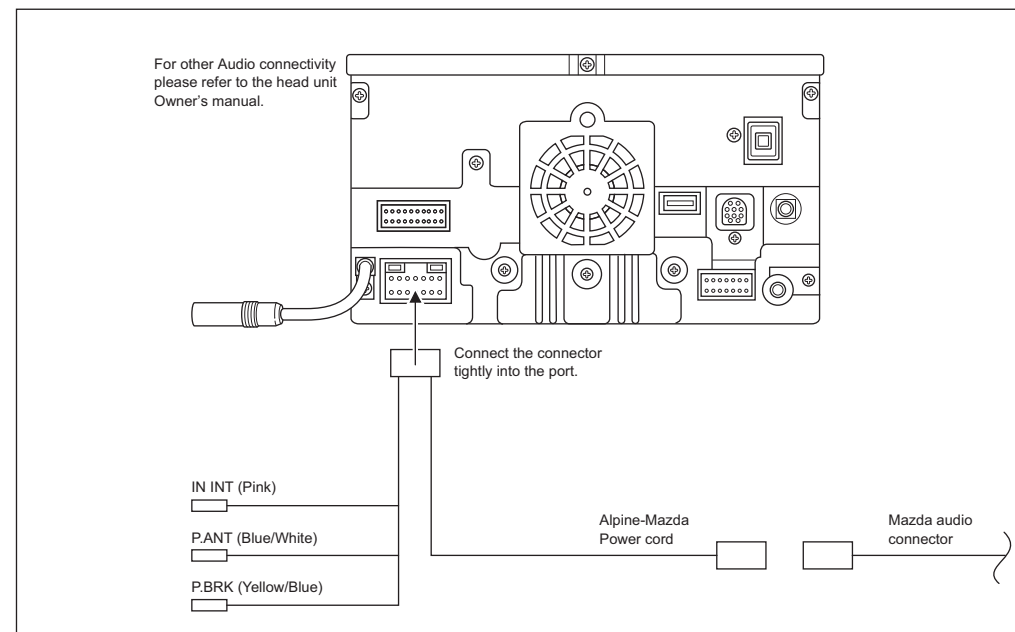
Car Model	Model Year
MAZDA 3	2012

This owner's manual will give you clearly understanding about installation.  
For making installation correctly, please read this manual carefully before operating installation.

#### 1 Component Parts

Audio Panel	Alpine-Mazda power cord	Alpine-Mazda Antenna cable	Bracket
			

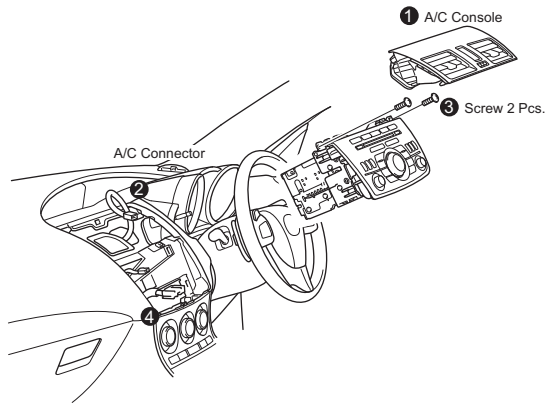
#### 2 Connecting Diagram



**ALPINE ELECTRONICS OF ASIA PACIFIC CO., LTD.**  
555 Rasa Tower 1, Unit 2601-2602, 26th Floor, Phaholyothin Rd.,  
Chatuchak, Bangkok, Thailand 10900  
Tel : +662-937-0505 Fax : +662-937-0569

<http://www.alpine-asia.com>

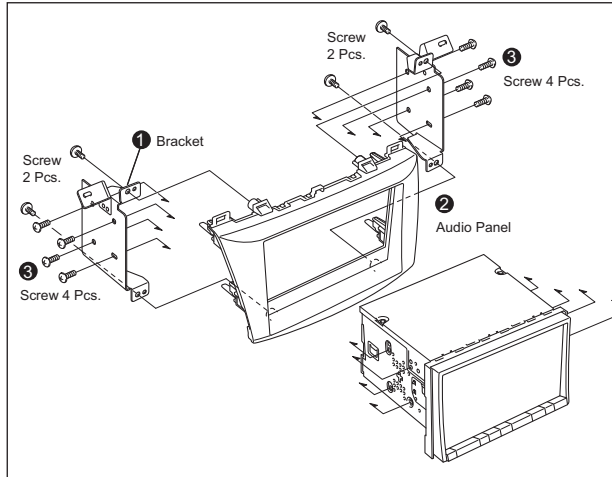
### 3 Removing Vehicle Parts



1. Remove A/C console ① by removing 2 clips off.
2. Remove A/C connector ② from A/C console.
3. Remove all 2 screws ③.
4. Remove all connectors ④ from the head unit. Then, remove the head unit.

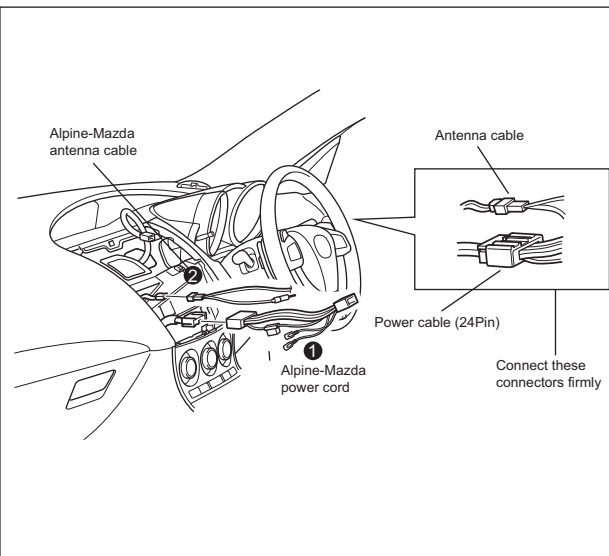
**!!! Caution !!!**  
Make sure that all the accessories are off so that you do not cause a spark.

### 5 Bracket Assembly



1. Install bracket ① both left and right side of the audio panel by using 4 screws (2 screws each side).
2. Install audio panel ② into the head unit by insert from rear side of the head unit.
3. Drive 8 screws (4 screws each side) to make it tight between bracket and the head unit.

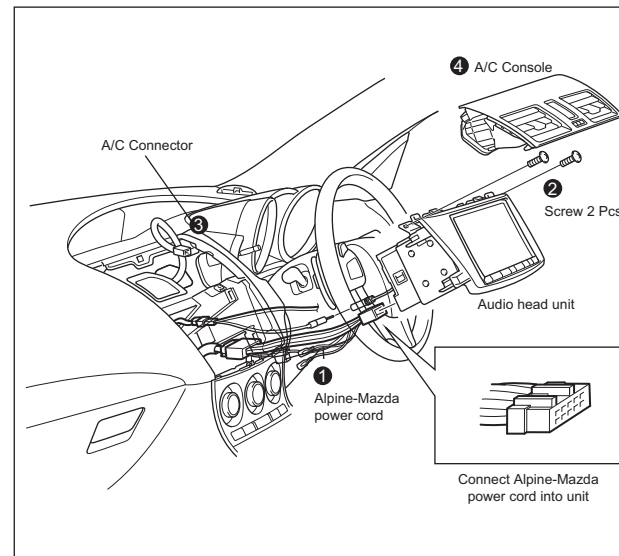
### 4 Harness Connection



1. Connect the Alpine-Mazda power cord ① into the car connectors.
2. Connect the Alpine-Mazda antenna cable ② into the car antenna connector.

**!!! Caution !!!**  
Make connection between connectors tightly (until you hear "Click".)

### 6 Retracing Vehicle Parts



1. Connect Alpine-Mazda connector ① into the head unit tightly until you hear "Click".
2. Drive 2 screws ② to make it tight between the head unit and car console.
3. Connect A/C connector ③ with A/C console.
4. Install A/C console ④ into car console by pressing all clips to dash panel until you hear "Click".

**Remark**  
Perform full function checks for the head unit. If no problem found assemble back all the parts to their original position.